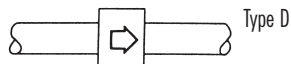
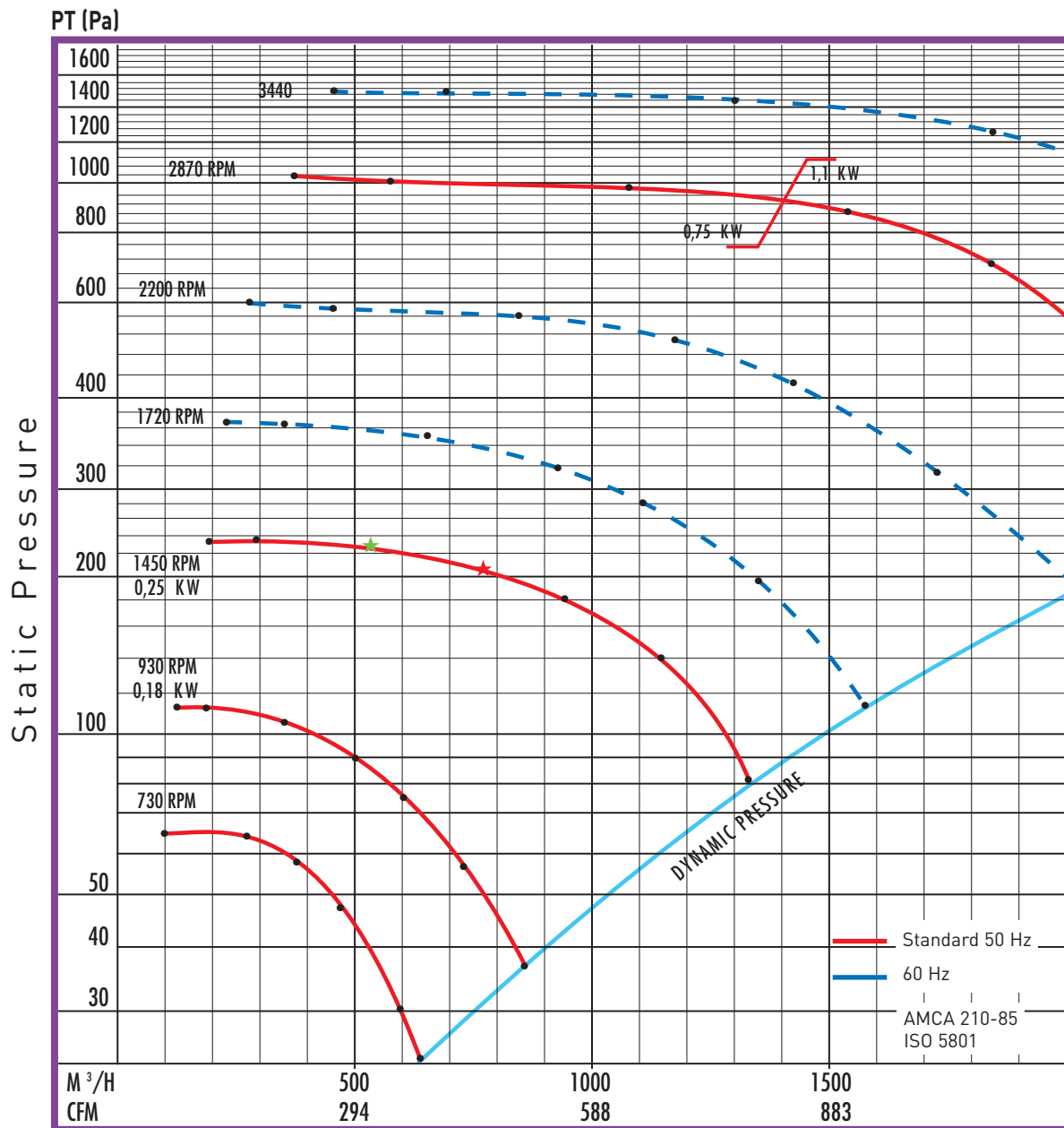
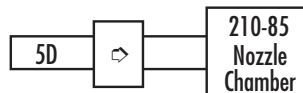


SEAT 20



Ducted inlet/Ducted outlet
Casing noise

R.P.M.	dB (A)	
950	41	42
1435	51	52
2870	66	67



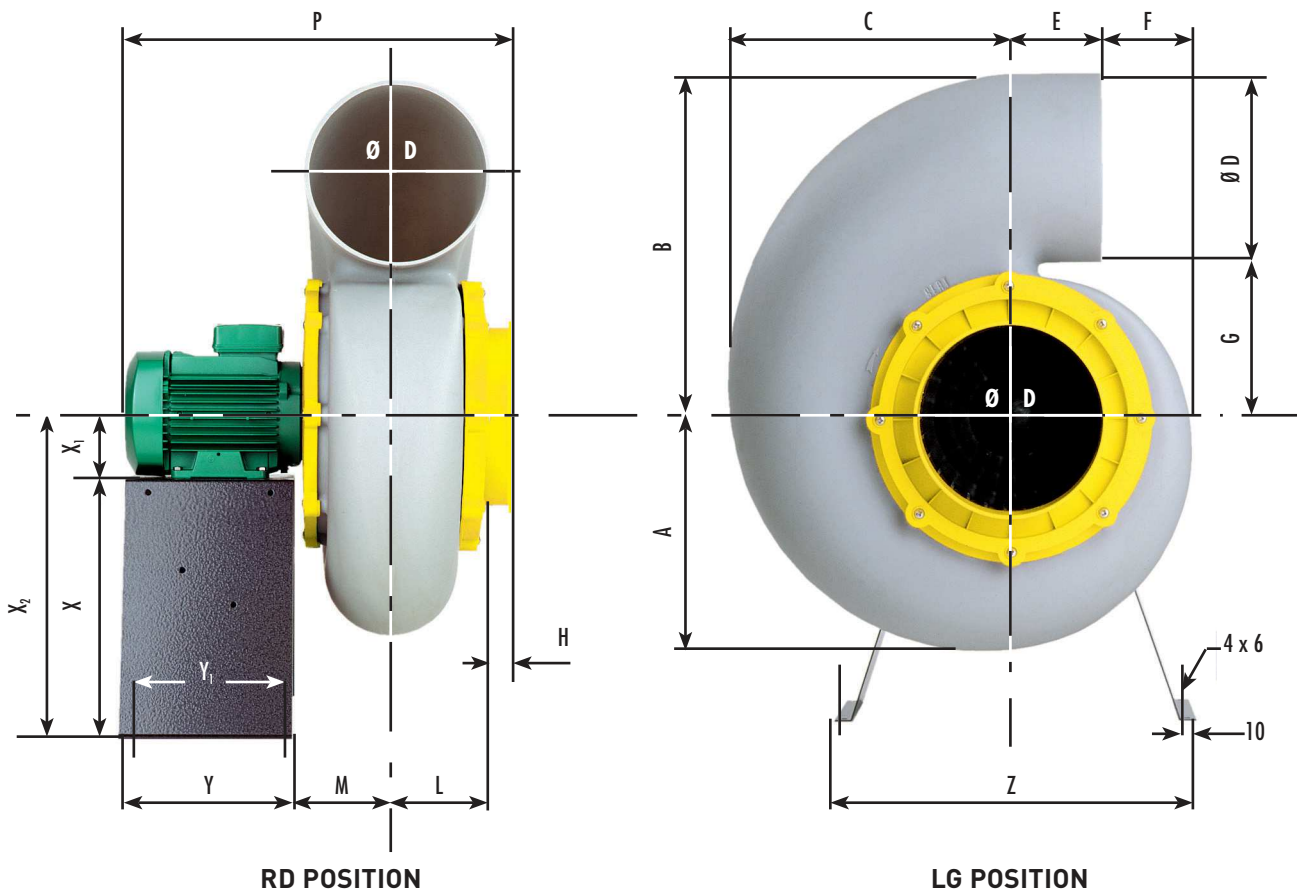
Type B
Ducted outlet

R.P.M.	dB(A)	
950	53	61
★ 1450	65	70
2870	83	85

Noise ratings in accordance with ISO 5801.
Visit our website for details.

Noise level in octaves (dB)

Freq. Octave Hz	1450 R.P.M. ★ 450 m ³ /h	1450 R.P.M. ★ 750 m ³ /h
125	65,1	67,6
250	64,9	65,3
500	63,8	64,8
1000	61	61,9
2000	52,3	53
4000	50,6	51,3



Available
in **ATEX** version

Dimensional data (mm) - Metal stand does not come standard with fan
(see accessories pricing)

A	B	C	Ø D	E	F	G	H	L	M	P	Y	Y ₁	Z	X	X ₁	X ₂
208	303	240	160	100	57	143	32	84	94	390	180	160	340	240	71	311

WARNING : for an enclosed pedestal mounting, X₂ = 370 mm.

Handings are viewed from inlet side - 45 degree adjustable

